

GearedMotorIndia.com

Vertical Single Reduction

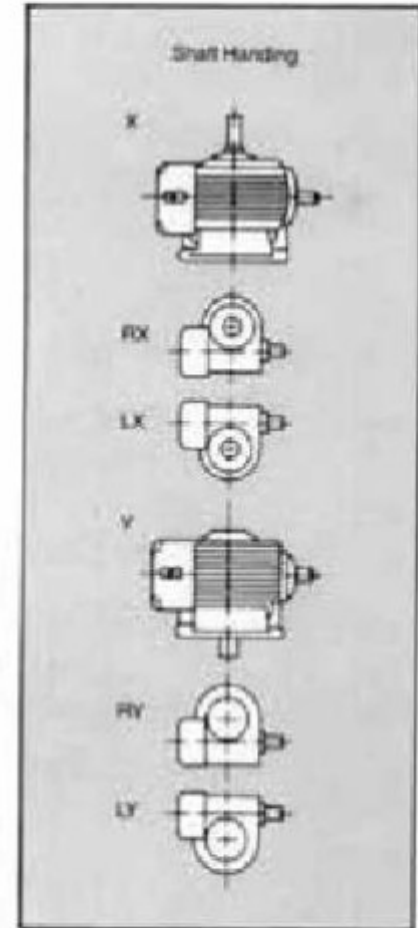
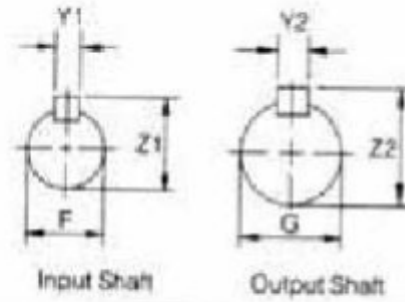
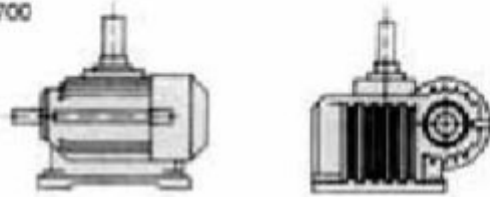
Email : info@GearedMotorIndia.com

As improvements in design are continually being made, this specification is not regards as binding in detail, and dimensions are subject to alteration without notice

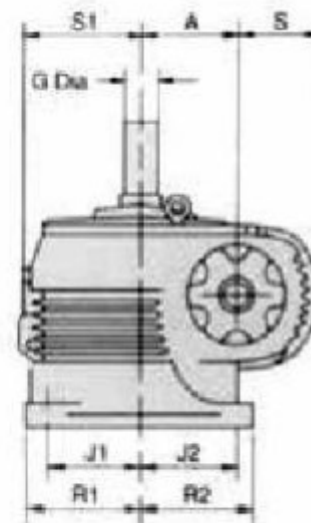
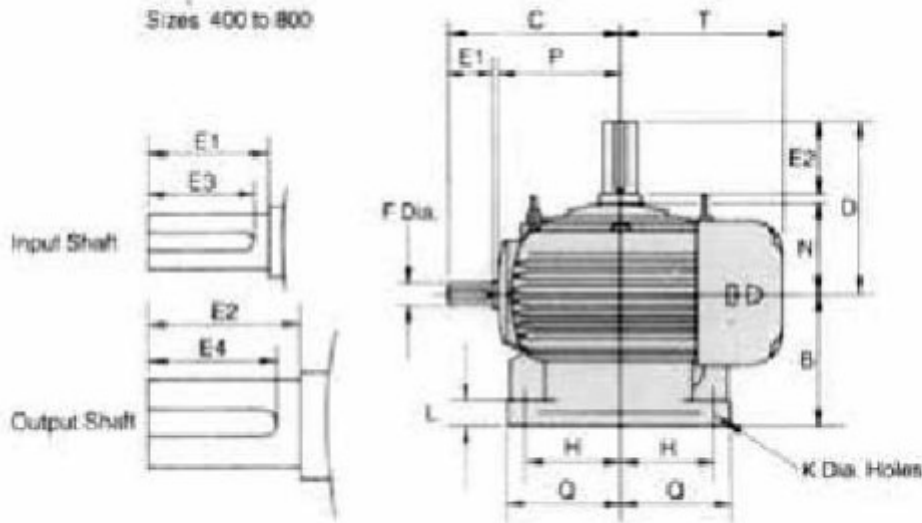
Vertical Single Reduction

G/103

Sizes 1000 to 1700



Sizes 400 to 800



Vertical Single Reduction

Ref. : Image : IMG-G02 / G/103

dimension (mm)

Size	A	B	C	D	E1	E2	E3	E4	F	G	H	J1	J2	K	L	N	P	Q	R1	R2	S	S1	T	Y1	Y2	Z1	Z2
400	101.6	171.5	229	216	67	89	54	83	31.750 31.735	44.450 44.435	114.3	114.3	114.3	21	32	121	159	140	140	140	111	152	222	7.976 7.925	11.176 11.125	34.47 34.24	47.73 47.50
500	127	190.5	260	248	73	102	73	95	38.100 38.085	50.800 50.782	139.7	139.7	139.7	21	32	133	184	165	165	165	124	178	254	9.576 9.525	12.751 12.700	40.72 40.49	53.98 53.75
600	152.4	209.6	279	273	76	114	73	114	38.100 38.086	57.150 57.135	152.4	152.4	152.4	24	38	140	200	184	184	184	133	197	270	9.576 9.525	15.926 15.875	40.72 40.49	61.75 61.52
700	177.8	228.6	318	298	86	127	83	114	44.450 44.435	63.500 63.482	177.8	177.8	177.8	24	38	151	229	210	210	210	143	222	305	11.176 11.125	15.926 15.875	47.73 47.50	68.10 67.87
800	203.2	241.3	343	311	89	140	83	127	44.450 44.436	69.850 69.832	203.2	203.2	203.2	27	44	159	251	238	238	238	149	254	327	11.176 11.125	19.101 19.050	47.73 47.50	75.03 74.80
1000	254	279.4	425	375	121	152	89	143	57.150 57.135	82.550 82.527	260.4	260.4	260.4	32	51	194	311	311	311	311	160	298	378	15.926 15.875	22.276 22.225	61.75 61.52	89.13 88.87
1200	304.8	304.8	495	413	124	171	89	162	63.500 63.482	95.250 95.227	317.5	317.5	317.5	35	57	216	368	368	368	368	177	356	441	15.926 15.875	25.476 25.400	68.10 67.87	103.20 102.95
1400	355.6	330.2	572	483	149	191	146	210	76.200 76.182	114.300 114.277	355.6	355.6	355.6	41	64	254	425	425	425	425	203	413	521	19.101 19.050	31.826 31.750	81.38 81.15	123.47 123.22
1700	431.8	406.4	699	546	181	203	152	222	82.550 82.527	139.700 139.675	431.8	431.8	431.8	41	76	305	514	502	502	502	241	502	629	22.276 22.225	38.202 38.100	89.13 88.90	150.04 149.73

Standard Nominal Ratios

Ref. : Image : IMG-G02 / G/103

400	5	7.5	10	13	15	20	25	30	-	40	50	60	70
500	5	7.5	10	-	15	20	25	30	35	40	50	60	70
600	5	7.5	10	-	15	20	25	30	35	40	50	60	70
700	5	7.5	10	-	15	20	25	30	35	40	50	60	70
800	5	7.5	10	-	15	20	25	30	-	40	50	60	70
1000	5	7.5	10	-	15	20	25	30	-	40	50	60	70
1200	5	7.5	10	13	15	20	25	30	35	40	50	60	70
1400	5	7.5	10	13	15	20	25	30	-	40	50	60	70
1700	-	-	10	-	15	20	25	30	-	40	50	60	70