

GearedMotorIndia.com

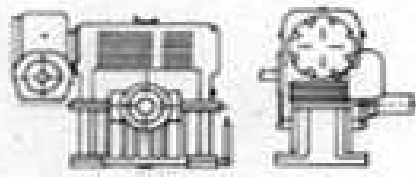
Over Driven Double Reduction (OD)

Email : info@GearedMotorIndia.com

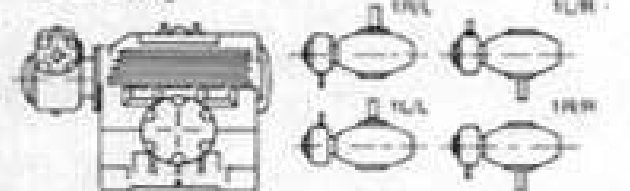
As improvements in design are continually being made, this specification is not regards as binding in detail, and dimensions are subject to alteration without notice

OD

OD
1000-1400



Shaft Handing

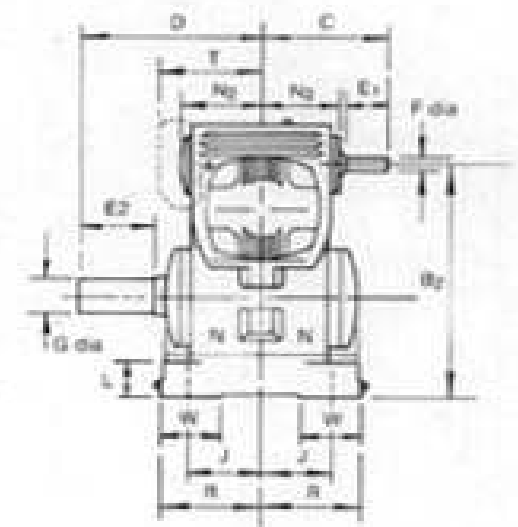
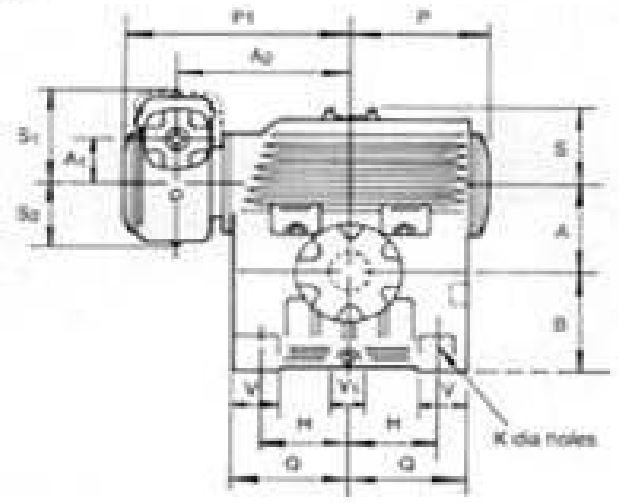


Input Shaft Position 1



Input Shaft Position 2

OD
800-900



Over Driven Double Reduction (OD)

SIZE	A	A1	A2	B	B1	B2	C	D	E1	E2	F	G	H	J	K	L	N	N2	P	P1	Q	R	S	S1	S2	S3	S4	T	V	V1	W
400	101.6	50.8	214.3	120.7	171.5	273.1	229	216	67	89	31.75	44.45	108	101.6	20.6	44	121	84	159	276	140	127	108	116	78	116	78	-	64	-	76
500	127	60	247.7	146.1	212.7	333.4	260	248	73	102	38.1	50.8	123.8	111.1	20.6	54	133	100	184	319	164	137	117	132	90	132	90	-	70	-	83
600	152.4	73	265.1	171.5	250.8	396.9	279	273	76	114	38.1	57.15	133.4	120.7	23.8	64	140	119	200	346	179	149	124	156	110	156	110	-	76	-	89
700	177.8	85.7	304.8	196.9	288.9	460.4	318	296	86	127	44.45	63.5	152.4	133.4	23.8	70	151	135	229	400	206	162	165	184	124	184	124	-	89	-	98
800	203.2	101.6	336.6	222.3	223.8	527.1	343	311	89	140	44.45	69.85	171.5	133.4	27	76	159	162	251	451	230	171	165	203	137	203	137	222	102	-	102
1000	254	127	419.1	273.1	400.1	654.1	425	375	121	152	57.15	82.55	215.9	165.1	31.8	51	194	178	311	549	298	200	191	241	165	241	165	254	127	64	200
1200	504.8	152.4	479.4	330.2	482.6	787.4	495	413	124	171	63.5	95.25	260.4	184.2	34.9	57	216	191	368	625	356	222	203	284	186	284	186	270	152	76	222
1400	355.6	177.8	552.5	381	558.8	914.4	572	483	149	191	76.2	114.3	298.5	215.9	41.3	64	254	222	425	702	413	260	229	314	232	314	232	305	178	89	260