

# **GearedMotorIndia.com**

Horizontal Single Reduction

Email : [info@GearedMotorIndia.com](mailto:info@GearedMotorIndia.com)

---

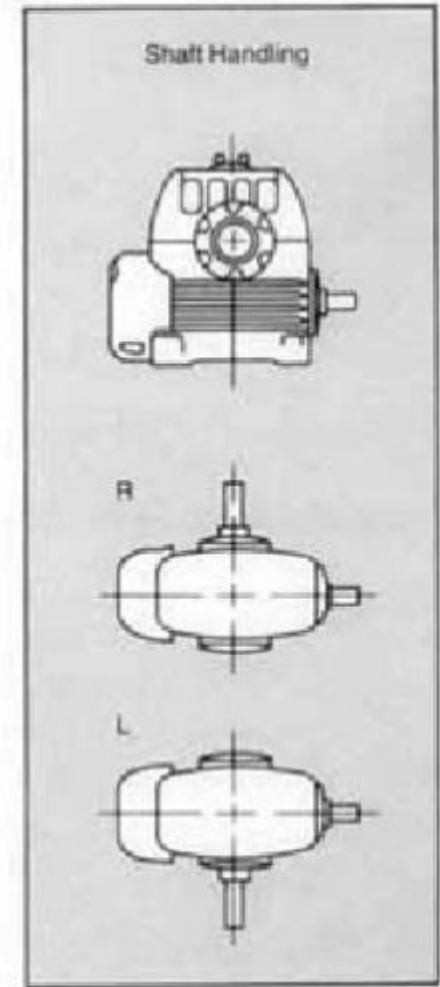
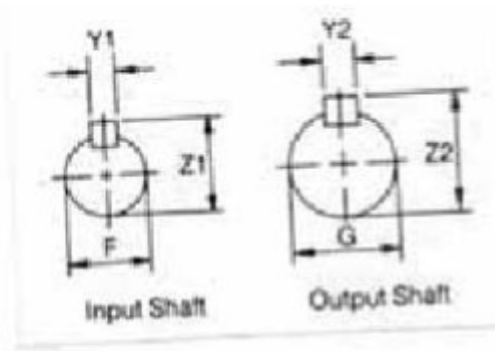
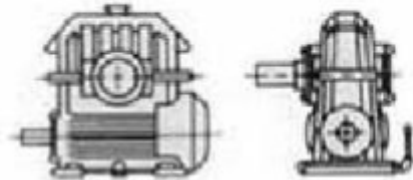
As improvements in design are continually being made, this specification is not regards as binding in detail, and dimensions are subject to alteration without notice

---

Horizontal Single Reduction

Sizes 1000 to 1700

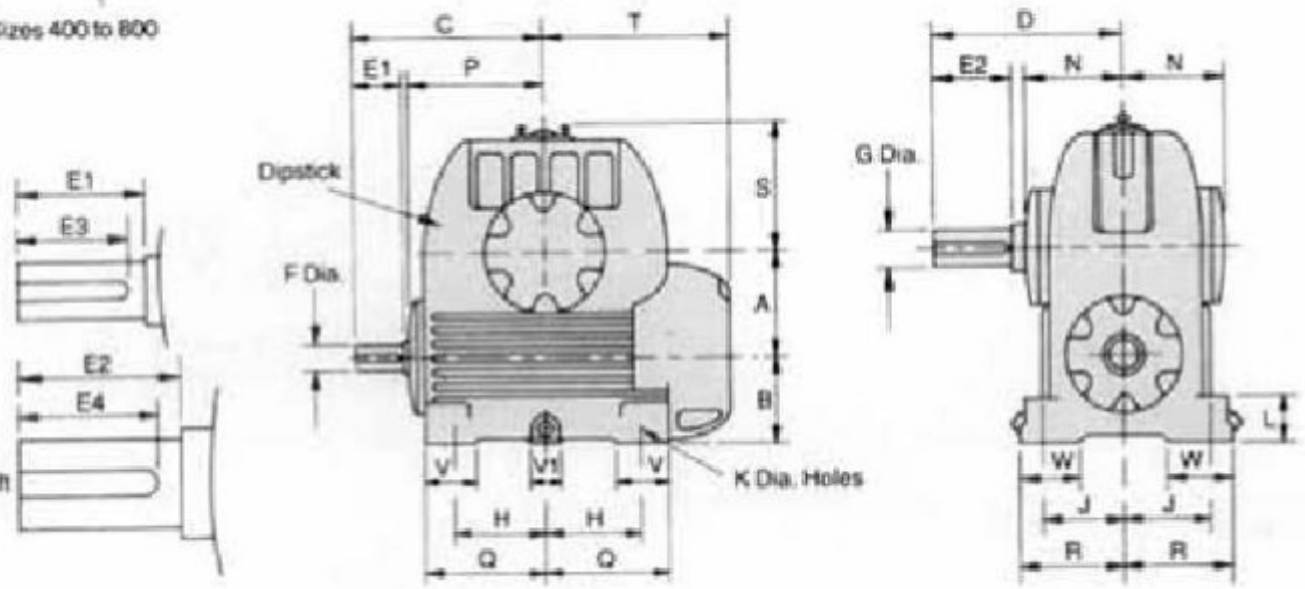
G/102



Sizes 400 to 800

Input Shaft

Output Shaft



## Horizontal Single Reduction

Ref. : Image : IMG-G01 / G/102

*dimension (mm)*

Size	A	B	C	D	E1	E2	E3	E4	F	G	H	J	K	L	N	P	Q	R	S	T	V	V1	W	Y1	Y2	Z1	Z2	
400	101.6	108.0	229	216	67	89	54	83	31.750 31.735	44.450 44.435	108.0	101.6	20.6	44	121	159	140	127	137	222	64	-	76	7.976 7.925	11.176 11.125	34.47 34.24	47.73	47.50
500	127.0	114.3	260	248	73	102	73	95	38.100 38.085	50.800 50.782	123.8	111.1	20.6	54	133	184	164	137	159	254	70	-	83	9.576 9.525	12.751 12.700	40.72 40.49	53.98	53.75
600	152.4	127.0	279	273	76	114	73	114	38.100 38.086	57.150 57.135	133.4	120.7	23.8	64	140	200	179	149	184	270	76	-	89	9.576 9.525	15.926 15.875	40.72 40.49	61.75	61.52
700	177.8	146.1	318	298	86	127	83	114	44.450 44.435	63.500 63.482	152.4	133.4	23.8	70	151	229	208	162	210	305	89	-	98	11.176 11.125	15.926 15.875	47.73 47.50	68.10	67.87
800	203.2	146.1	343	311	89	140	83	127	44.450 44.436	69.850 69.832	171.5	133.4	27.0	76	159	251	230	171	235	327	102	-	102	11.176 11.125	19.101 19.050	47.73 47.50	75.03	74.80
1000	254.0	171.5	425	375	121	152	89	143	57.150 57.135	82.550 82.527	215.9	165.1	31.8	51	194	311	298	200	292	378	127	64	200	15.926 15.875	22.276 22.225	61.75 61.52	89.13	88.87
1200	304.8	190.5	495	413	124	171	89	162	63.500 63.482	95.250 95.227	260.4	184.2	34.9	57	216	368	358	222	343	441	152	76	222	15.926 15.875	25.476 25.400	68.10 67.87	103.20	102.95
1400	355.6	215.9	572	483	149	191	146	210	76.200 76.182	114.300 114.277	298.5	215.9	41.3	64	254	425	413	260	394	521	178	89	260	19.101 19.050	31.826 31.750	81.38 81.15	123.47	123.22
1700	431.8	254.0	699	546	181	203	152	222	82.550 82.527	139.700 139.675	381.0	254.0	41.3	76	305	514	502	298	489	629	191	127	298	22.276 22.225	38.202 38.100	89.13 88.90	150.04	149.73

## Horizontal Single Reduction

Ref. : Image : IMG-G01 / G/102

<b>400</b>	5	7.5	10	13	15	20	25	30	-		40	50	60	70
<b>500</b>	5	7.5	10	-	15	20	25	30	35		40	50	60	70
<b>600</b>	5	7.5	10	-	15	20	25	30	35		40	50	60	70
<b>700</b>	5	7.5	10	-	15	20	25	30	35		40	50	60	70
<b>800</b>	5	7.5	10	-	15	20	25	30	-		40	50	60	70
<b>1000</b>	5	7.5	10	-	15	20	25	30	-		40	50	60	70
<b>1200</b>	5	7.5	10	13	15	20	25	30	35		40	50	60	70
<b>1400</b>	5	7.5	10	13	15	20	25	30	-		40	50	60	70
<b>1700</b>	-	-	10	-	15	20	25	30	-		40	50	60	70