

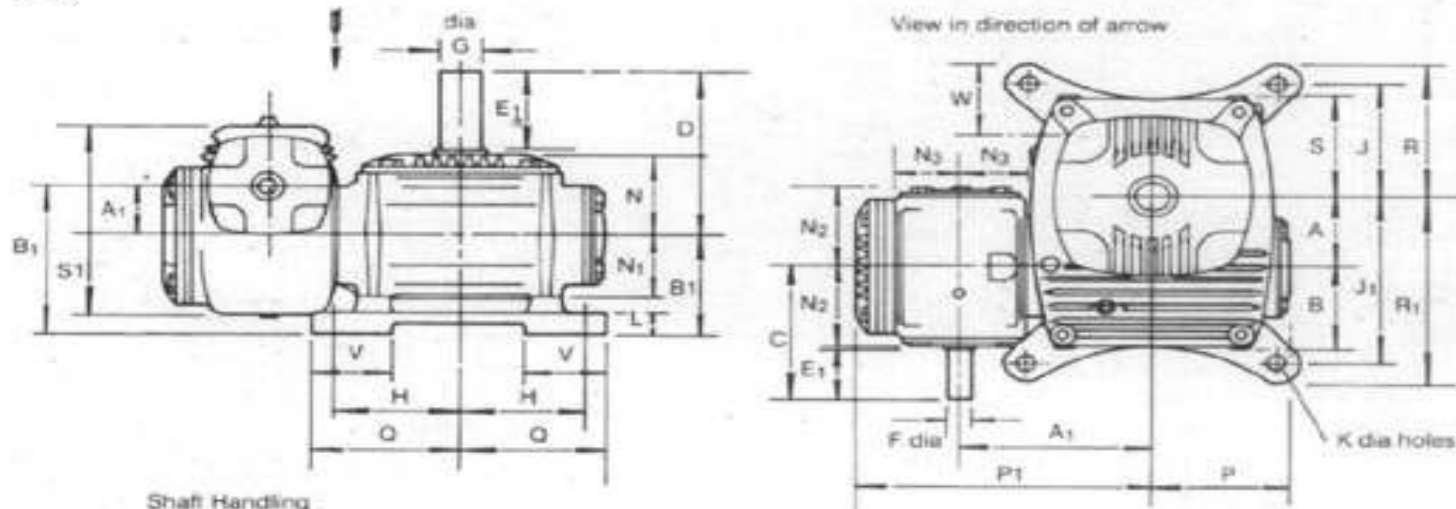
GearedMotorIndia.com

Adaptable Vertical Driven (AVD)

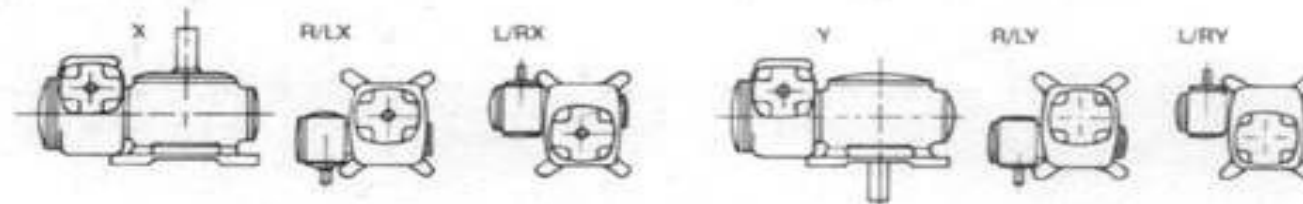
Email : info@GearedMotorIndia.com

As improvements in design are continually being made, this specification is not regards as binding in detail, and dimensions are subject to alteration without notice

AVD



Shaft Handling



Designations with suffix "X" e.g. "R/LX", denote units with slow-speed shafts extended vertically upward. Suffix "Y", e.g. "R/LY" refers to units with slow-speed extended vertically downward.

Note : The slow speed shaft extension, when downward, is the same dimensionally as the upward projection from the high-speed shaft centre-line. Dimensions D, E2 and N apply to both arrangements.

Adaptable Vertical Driven (AVD)

Dimensions (mm)

Size	A	A1	A2	B	B1	B2	C	D	E1	E2	F	G	H	J	J1	K	L	N	N1	N2	N3	P	P1	Q	R	R1	S	S1	S2	V	W
162	41.3	28.6	92.1	54	63.5	92.1	90	98	29	48	11.113 11.102	19.050 19.037	58.7	65.1	100	10.3	14	49	37	59	32	68	148	71	78	113	60	70	51	40	46
200	50.8	28.6	106.4	61.9	69.9	98.4	90	117	29	57	11.113 11.102	25.400 25.387	76.2	82.6	120.7	10.3	14	59	43	59	32	84	162	89	95	133	75	70	51	51	52
237	60.3	41.3	133.4	71.4	82.6	123.8	110	140	41	70	15.875 15.865	28.575 28.562	87.3	95.3	139.7	11.9	17	68	51	68	46	98	208	103	111	156	87	92	67	57	59
287	73	41.3	152.4	81	98.4	139.7	110	168	41	83	15.875 15.865	31.750 31.735	106.4	114.3	161.9	13.5	21	81	64	68	46	119	227	124	132	179	106	92	67	65	65
337	85.7	41.3	168.3	93.7	114.3	155.6	110	200	41	98	15.875 15.865	38.100 38.085	119.1	128.6	188.9	15.1	22	98	76	68	46	133	243	138	148	208	119	92	67	73	73