

# **GearedMotorIndia.com**

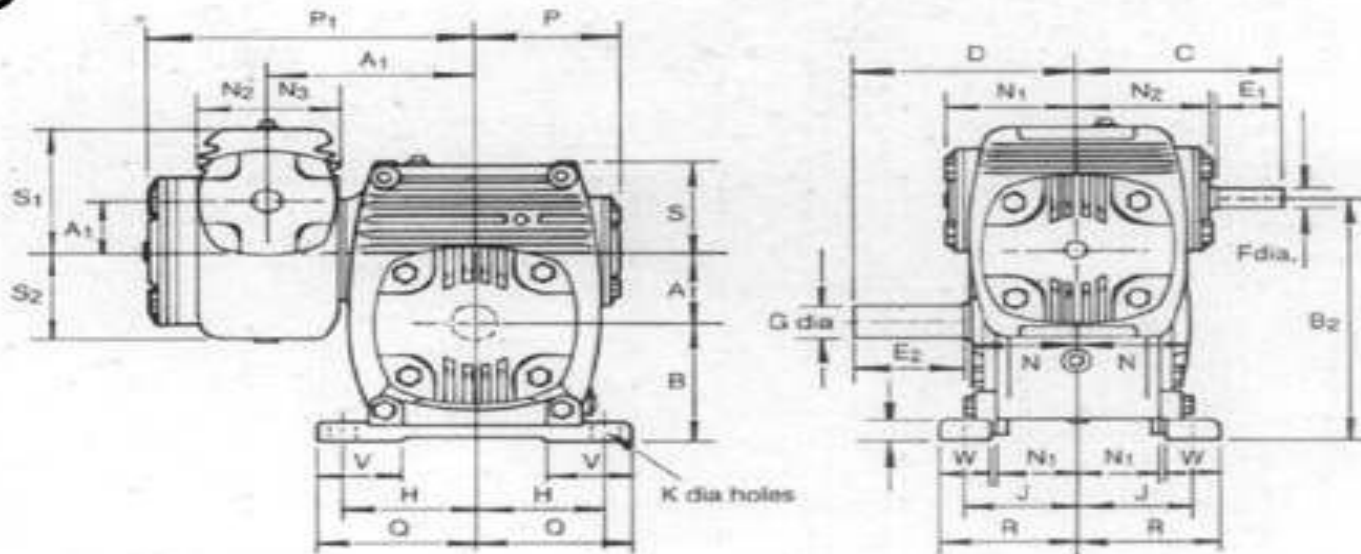
## **Adaptable Over Driven ( AOD )**

Email : [info@GearedMotorIndia.com](mailto:info@GearedMotorIndia.com)

---

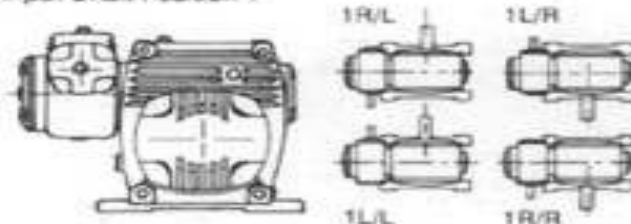
As improvements in design are continually being made, this specification is not regards as binding in detail, and dimensions are subject to alteration without notice

# AOD

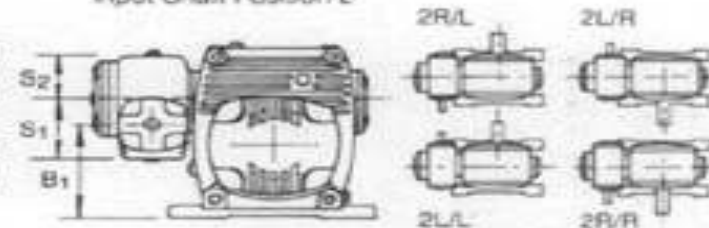


Shaft Handing

Input Shaft Position 1



Input Shaft Position 2



Care should be taken when using "1L/L", "1R/R", "2L/L" or "2R/R" to ensure that the motor, where direct coupled, will clear the slow-speed shaft.

# Adaptable Over Driven ( AOD )

## Dimensions (mm)

Size	A	A1	A2	B	B1	B2	C	D	E1	E2	F	G	H	J	K	L	N	N1	N2	N3	P	P1	Q	R	S	S1	S2	V	W
162	41.3	28.6	92.1	66.7	79.4	136.5	90	98	29	48	11.113 11.102	19.050 19.037	58.7	49.2	10.3	11.1	49	37	59	32	68	148	70	60	54	70	51	38	22
200	50.8	28.6	106.4	82.6	104.8	161.9	90	117	29	57	11.113 11.102	25.400 25.387	76.2	57.2	10.3	14.3	59	43	59	32	84	162	91	73	62	70	51	49	29
237	60.3	41.3	133.4	100	119.1	201.6	110	140	41	70	15.875 15.865	28.575 28.562	87.3	68.3	11.9	17.5	68	51	68	46	98	208	103	84	71	92	67	54	32
287	73	41.3	152.4	120.7	152.4	235	110	168	41	83	15.875 15.865	31.750 31.735	106.4	82.6	13.5	19.1	81	64	68	46	119	227	124	100	81	92	67	60	35
337	85.7	41.3	168.3	134.9	179.4	261.9	110	200	41	98	15.875 15.865	38.100 38.085	119.1	96.8	15.1	20.6	98	76	68	46	133	243	138	116	94	92	67	67	38